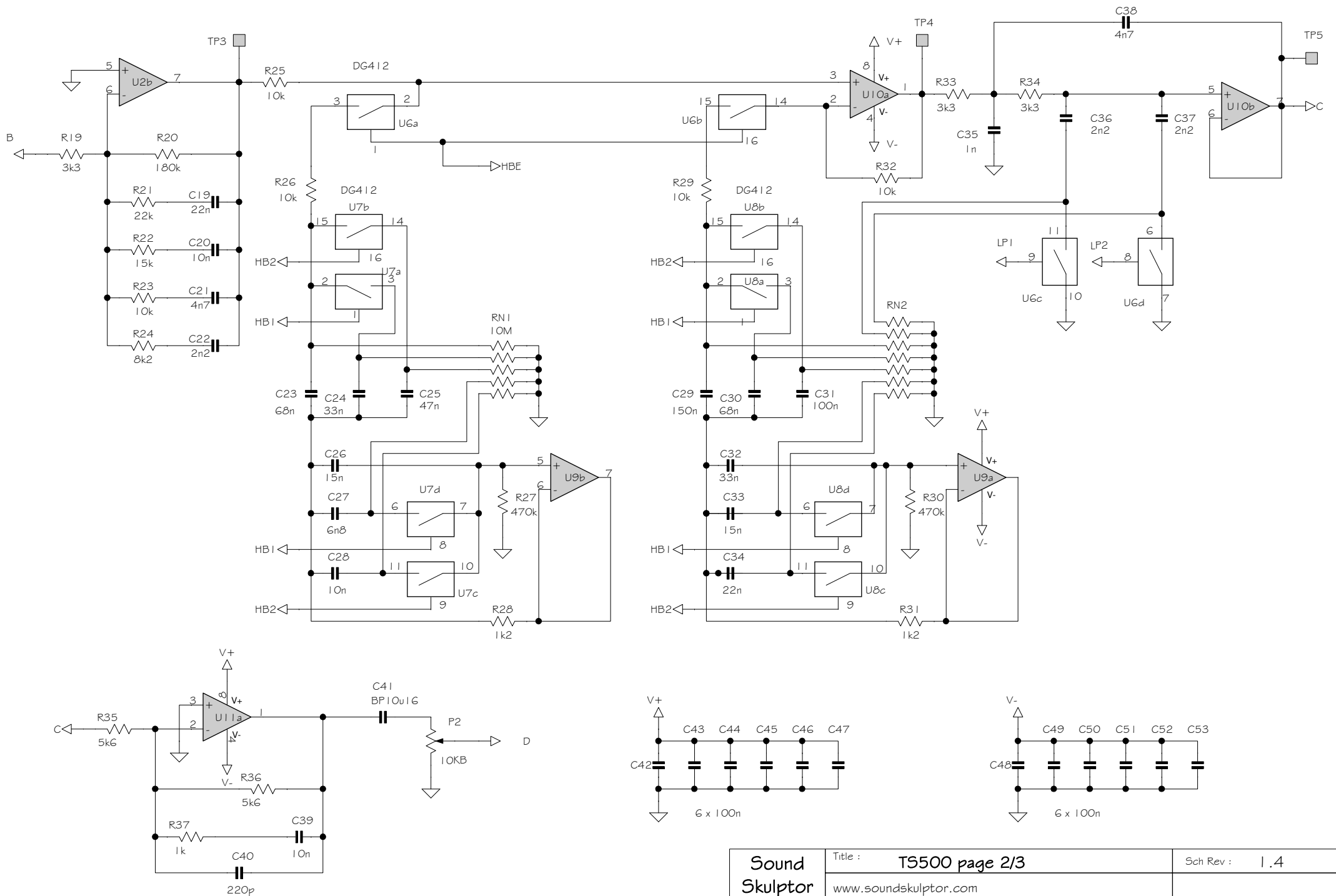
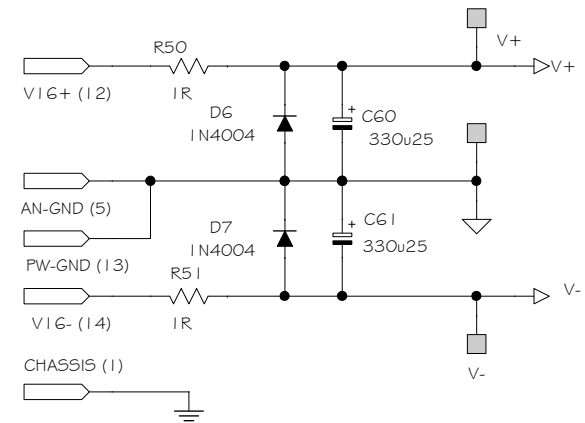
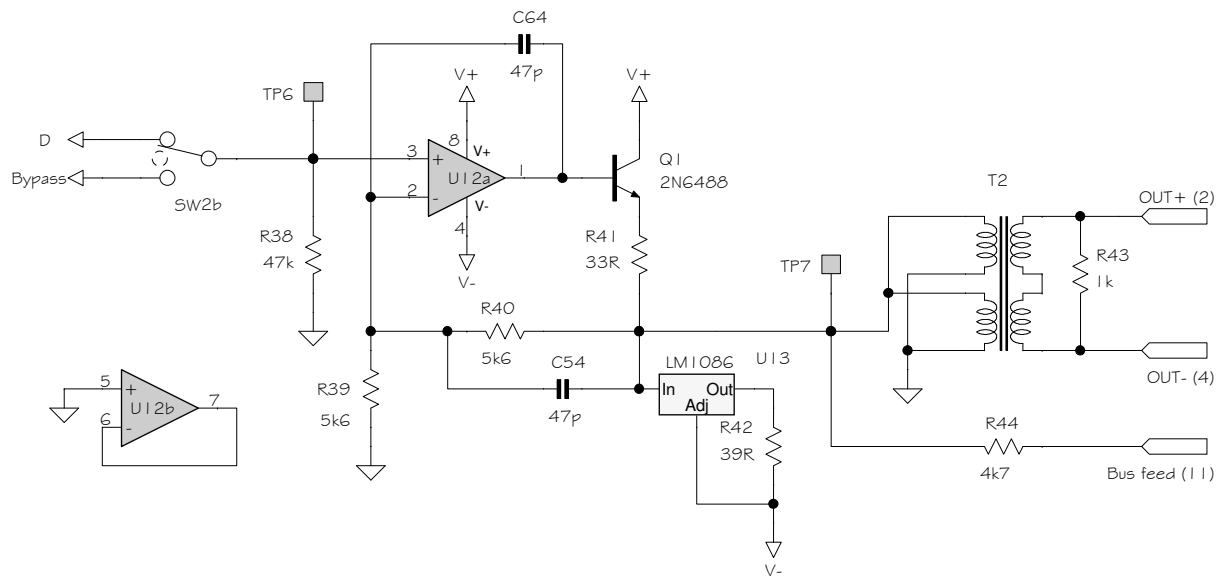


Sound Skulptor

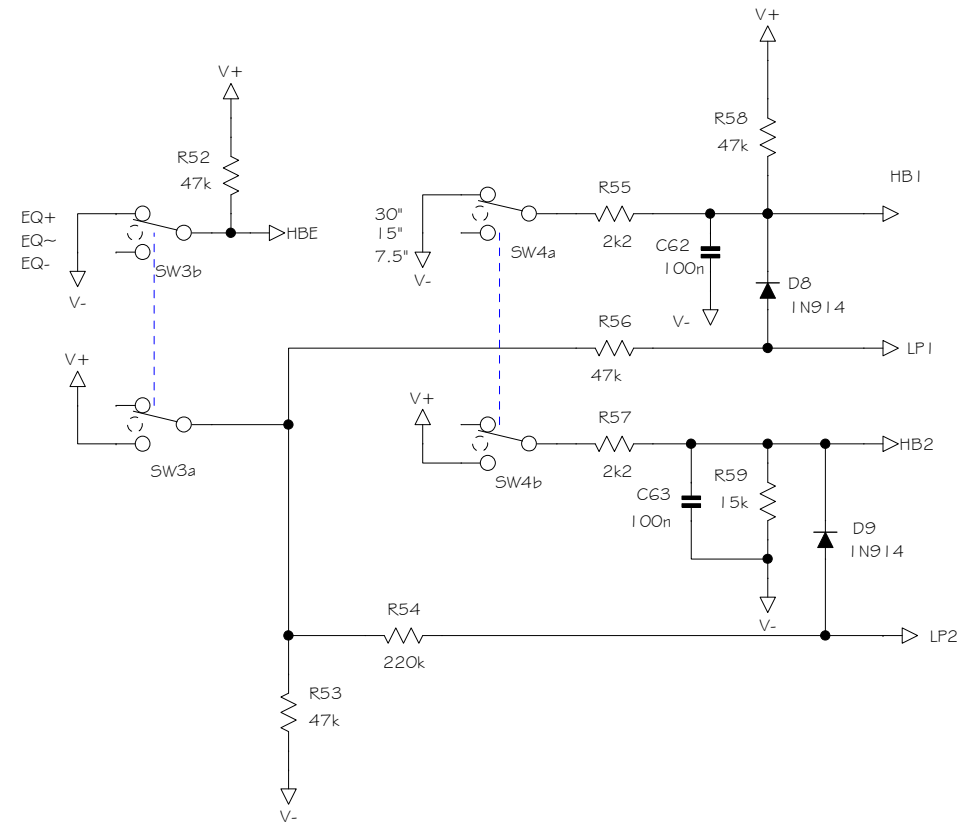
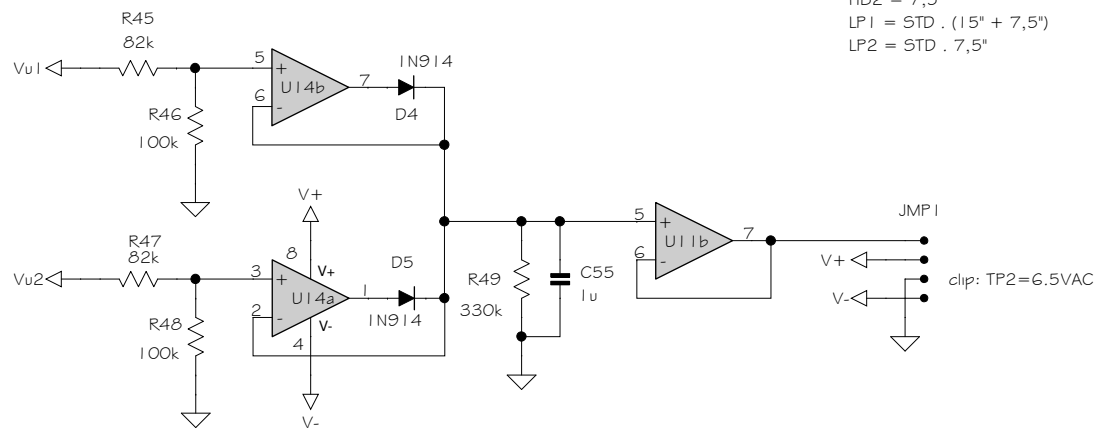
Title : T5500 page 1/3
 www.soundskulptor.com
 Copyright ©2016 SoundSkulptor

Sch Rev : 1.4
 Last modified : 2/06/20

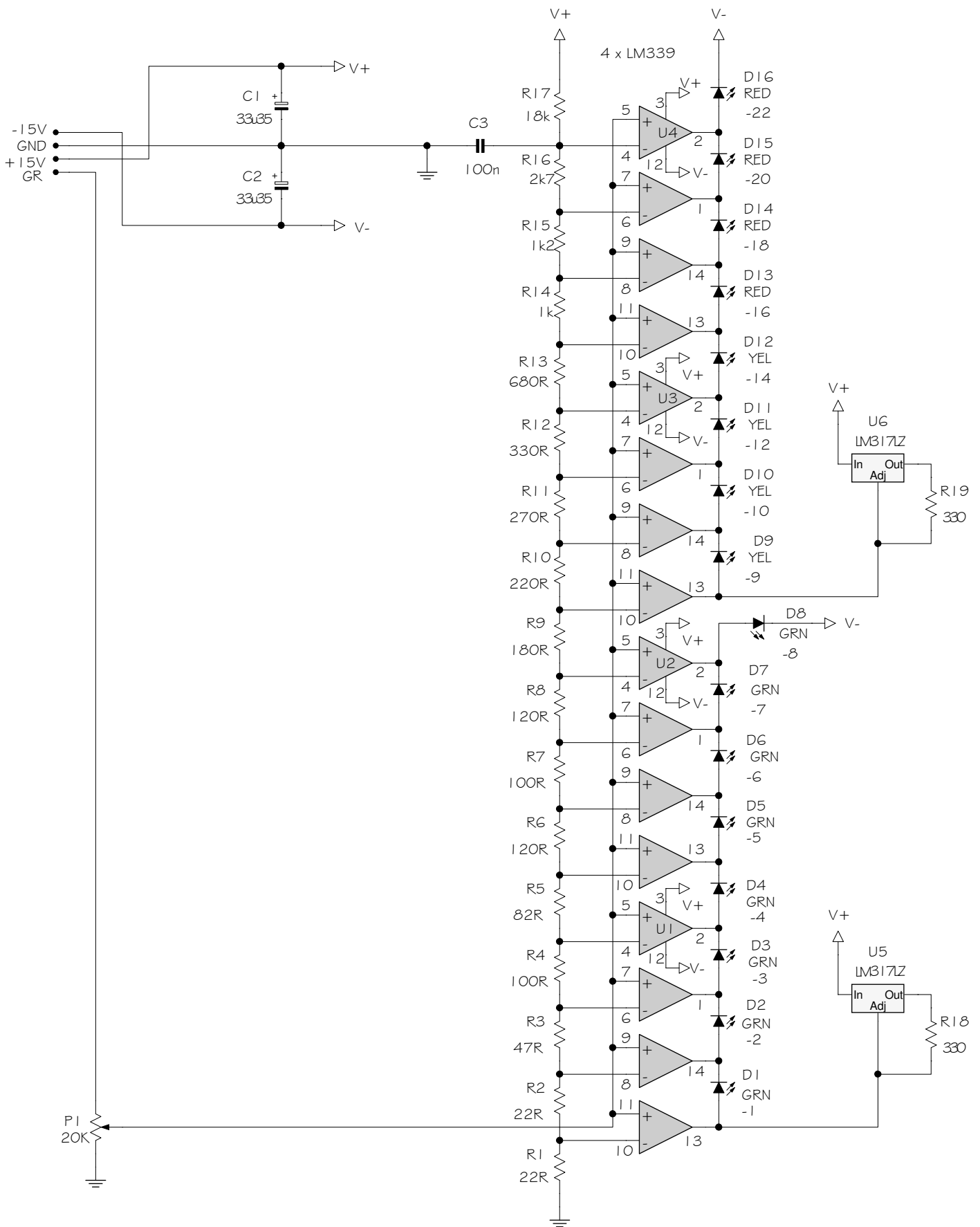




HBE = EQ-LF
 HB1 = 15" + 7,5"
 HB2 = 7,5"
 LP1 = STD . (15" + 7,5)"
 LP2 = STD . 7,5"



Sound Skulptor	Title : T9500 page 3/3	Sch Rev : .4
	www.soundskulptor.com	
	Copyright ©2016 SoundSkulptor	Last modified : 2/06/20



Sound Skulptor	Title: TS500 - Meter	Sch Rev : 1.1
	www.soundskulptor.com	PCB Rev : 1.4
	Copyright ©2016 to Today SoundSkulptor	Last modified : 21/09/16