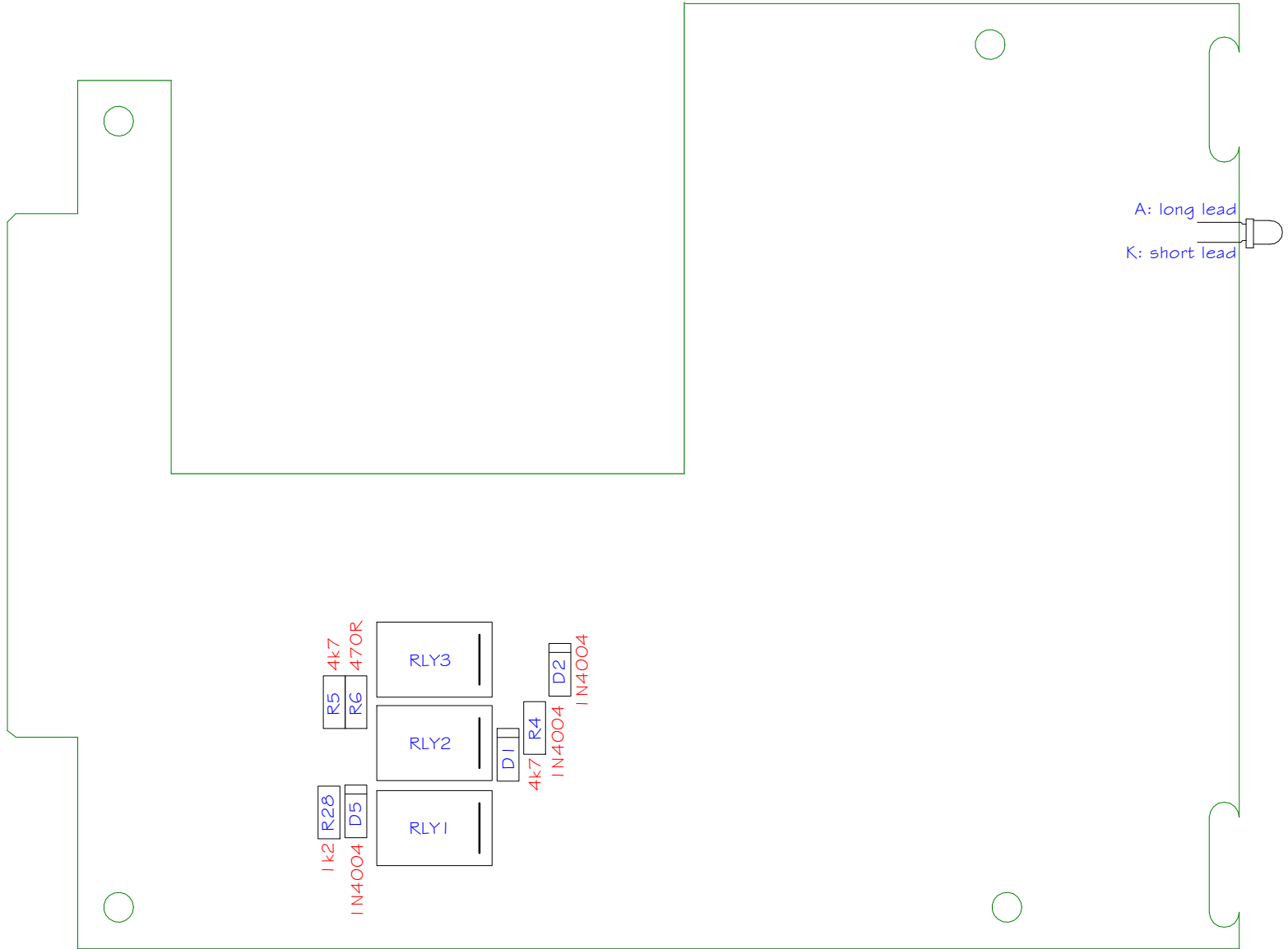


Q1...Q5 : 5x BC550C

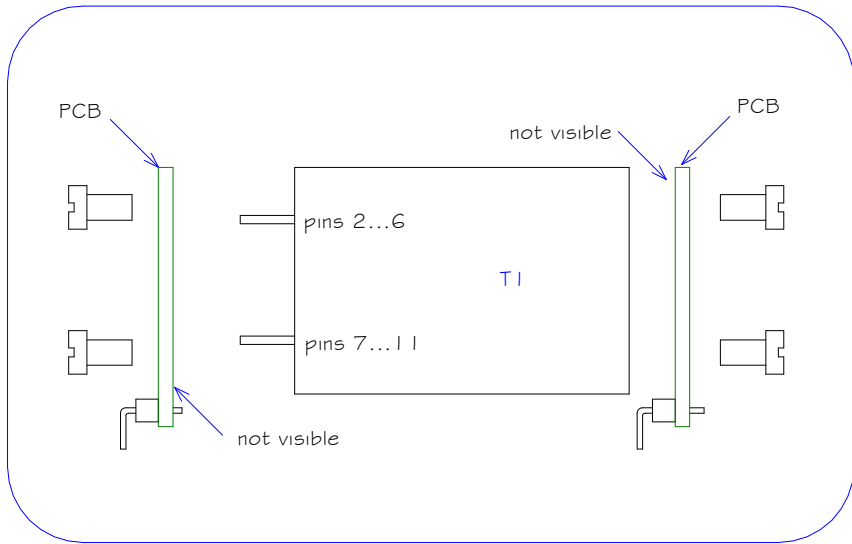
D6...D9: 1N914

6k8-0.1%  
6k8-0.1%

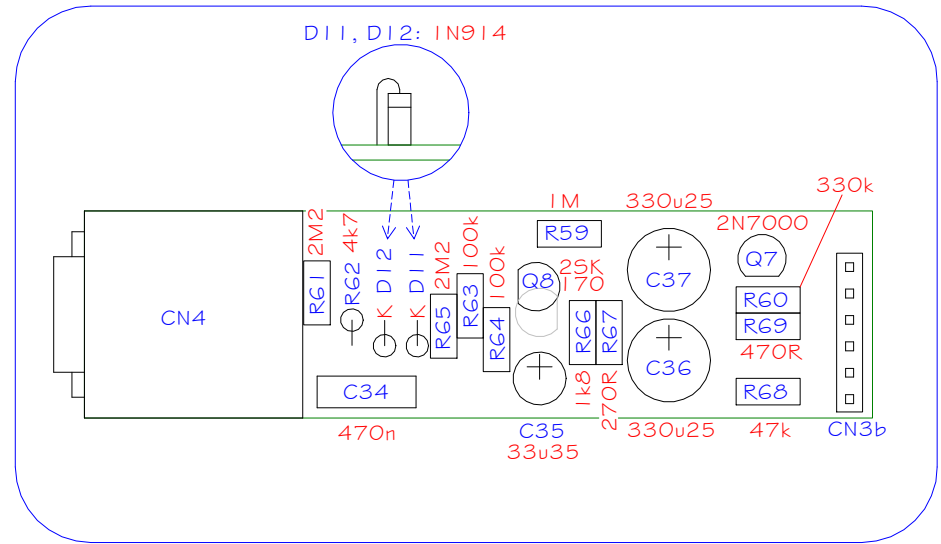
<b>SOUND SKULPTOR</b>	Title      MP573 Component Layout - Top side	Sch Rev      2.3
	www.soundskulptor.com Copyright ©2015 Soundskulptor	PCB Rev      2.3
		Last modified      12/06/20



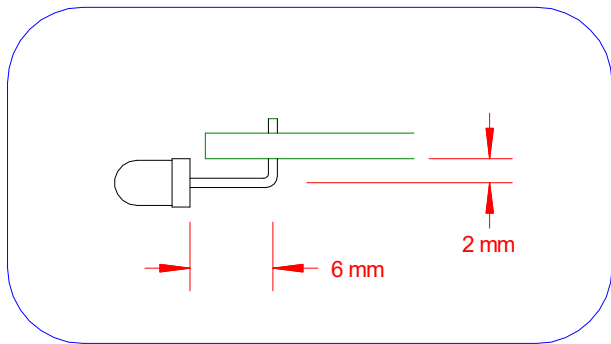
<b>SOUND SKULPTOR</b>	Title	MP573 Component Layout - Bottom side	Sch Rev	2.3
	www.soundskulptor.com Copyright ©2015 Soundskulptor		PCB Rev	2.3
			Last modified	12/07/20



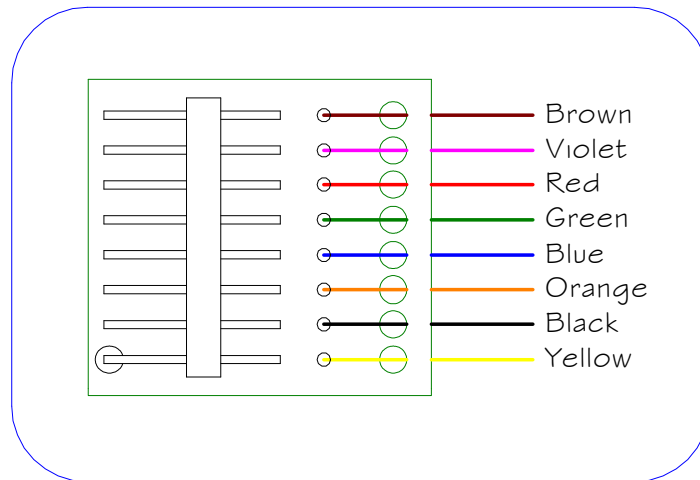
input transformer assembly



DI assembly



LED bending



Output transformer connector

<b>SOUND SKULPTOR</b>	Title	MP573 Component Layout - Other parts	Sch Rev	2.3
	www.soundskulptor.com Copyright ©2015 Soundskulptor		PCB Rev	2.3
			Last modified	12/06/20