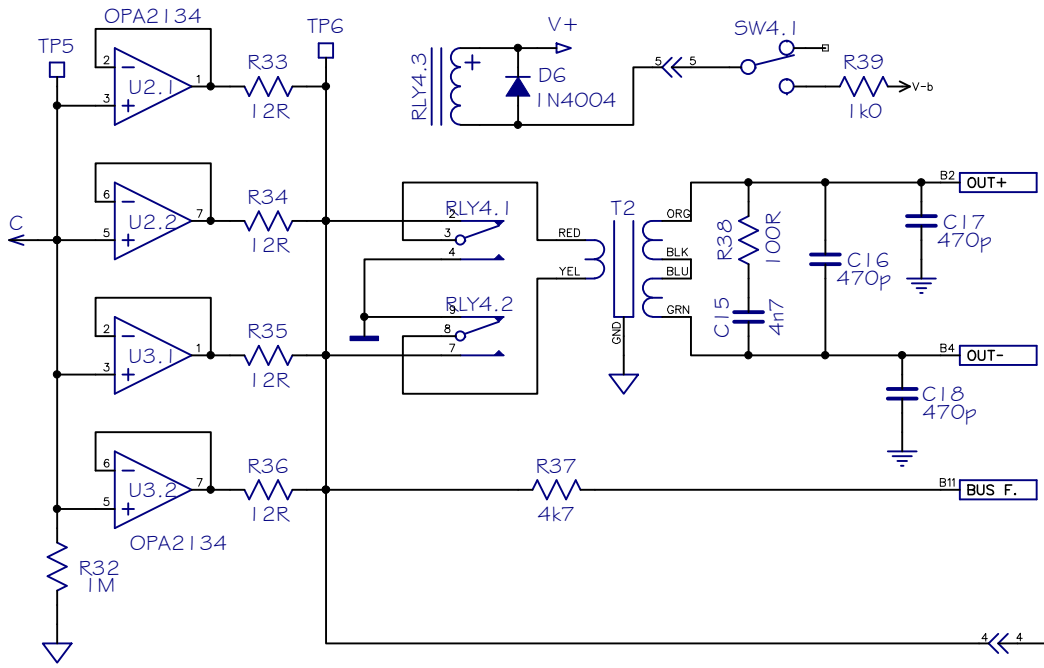


Sound	MP566-II	1/2	Rev : 2.2
Skulptor	www.soundskulptor.com Copyright © 2025 to today SoundSkulptor		Date: 27/08/25



	VDC	VAC
Input		5mV
TP1	0V	39mV
TP2	1.24V	38mV-4.1V
TP3	1.48V	3.6mV-0.3V
TP4	0V	38mV-4.1V
TP5	0V	76mV-8.2V
TP6	0V	76mV-8.2V
V+	15.7V	
V-	-15.7V	
B+	207V	
H+	-3.8V	

