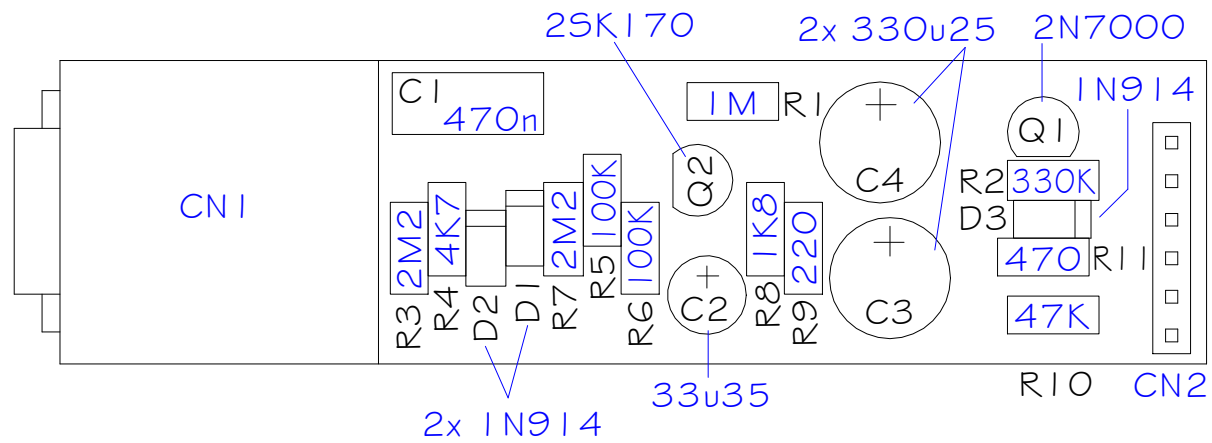


SOUND SKULPTOR	Title	MP512 Component Layout	Sch Rev	1.2
	www.soundskulptor.com Copyright ©2013 to today Soundskulptor		PCB Rev	1.4
			Last modified	17/01/13



SOUND SKULPTOR	Title	DiO1 Component Layout	Sch Rev	1.2
	www.soundskulptor.com Copyright ©2010 Soundskulptor		PCB Rev	1.2
			Last modified	04/07/10