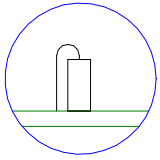
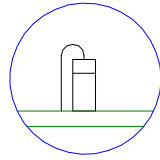


<b>SOUND SKULPTOR</b>	Title	MC642 Component Layout	Sch Rev	1.3
	www.soundskulptor.com		PCB Rev	1.3
	Copyright ©2014 Soundskulptor		Last modified	02/05/14



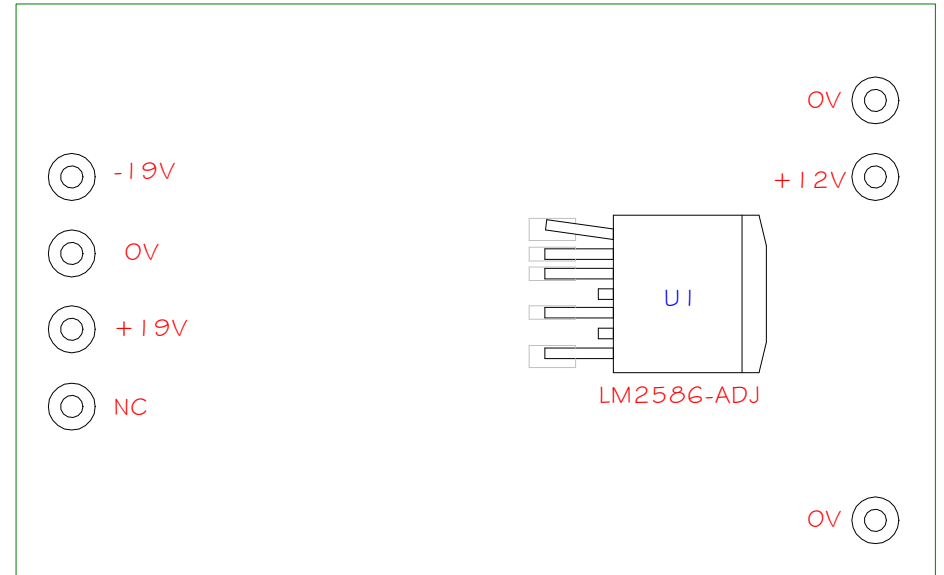
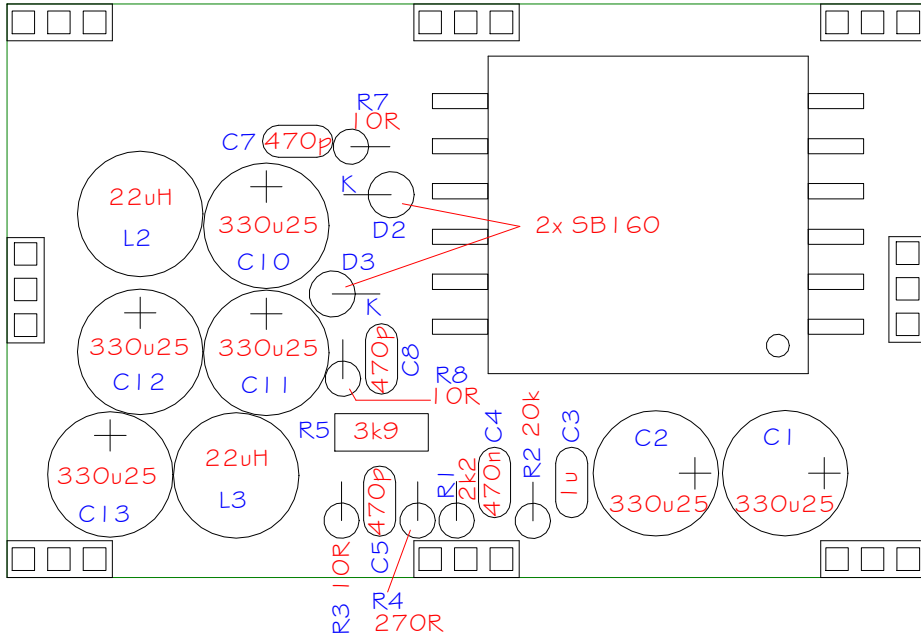
R1...R4, R7...R8, L1

TOP



D2, D3

BOTTOM



<b>SOUND SKULPTOR</b>	Title	SWITCHER2 Component Layout	Sch Rev	1.3
	www.soundskulptor.com Copyright ©2015 to today Soundskulptor		PCB Rev	1.3
			Last modified	16/04/15