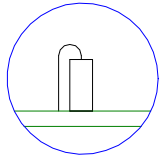
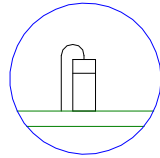


| | | | | |
|-------------------|-------------------------------|------------------------|---------------|----------|
| SOUND SKULPTOR | Title | MC642 Component Layout | Sch Rev | 1.3 |
| | www.soundskulptor.com | | PCB Rev | 1.3 |
| | Copyright ©2014 Soundskulptor | | Last modified | 02/05/14 |



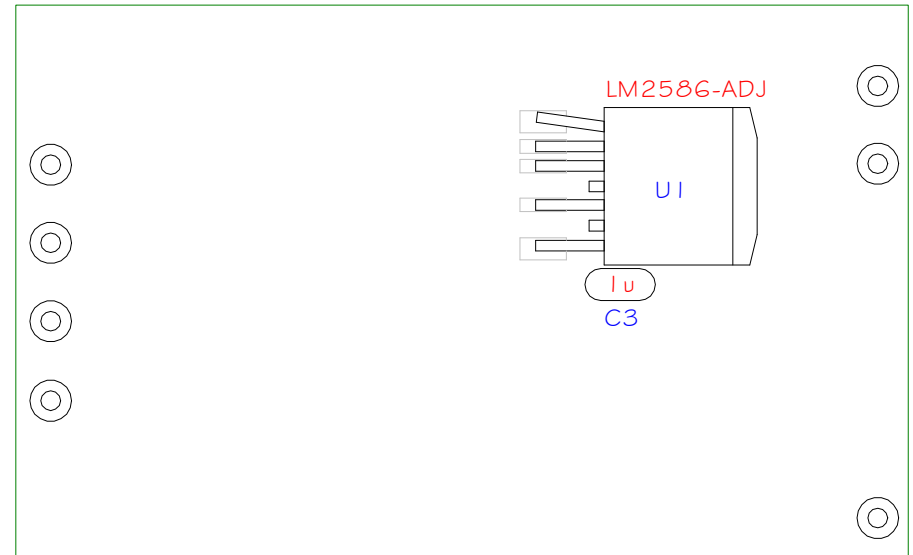
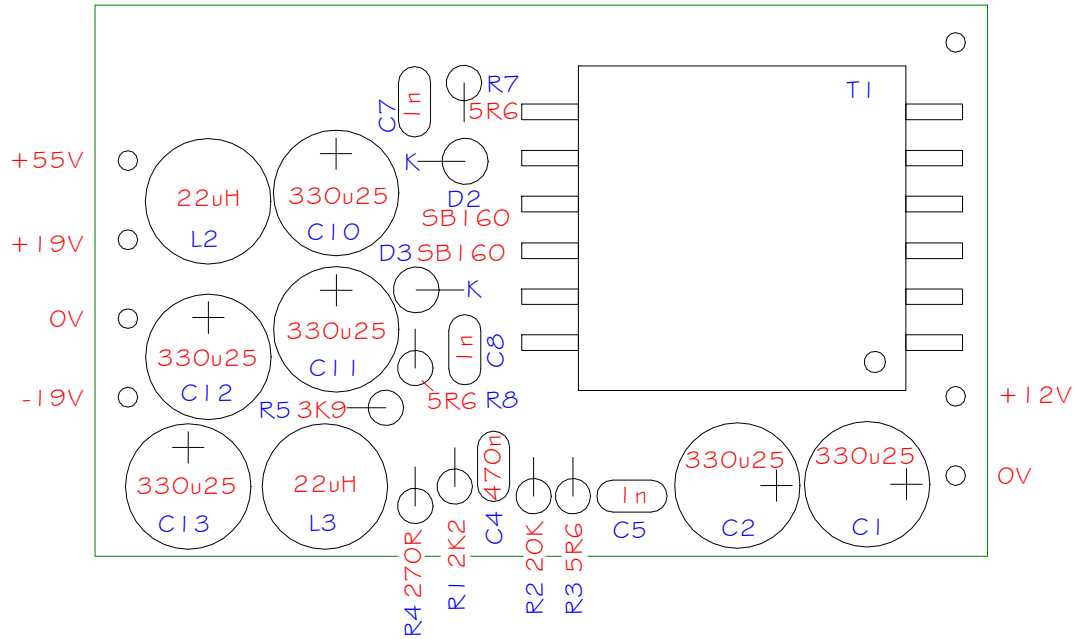
R1...R8

TOP



D2, D3

BOTTOM



| | | | | |
|---------------------------|---|-----------------------------|---------------|----------|
| SOUND SKULPTOR | Title | SWITCHER-2 Component Layout | Sch Rev | 1.2 |
| | www.soundskulptor.com Copyright ©2014 to today Soundskulptor | | PCB Rev | 1.2 |
| | | | Last modified | 17/09/14 |