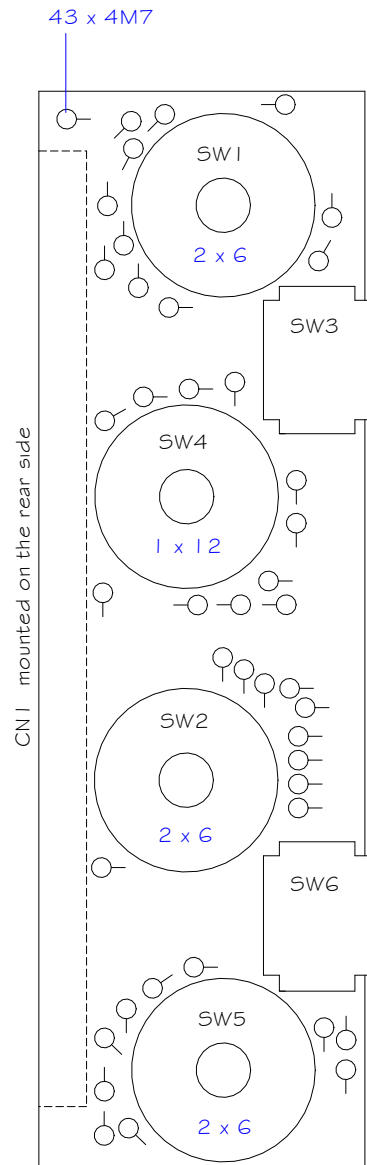
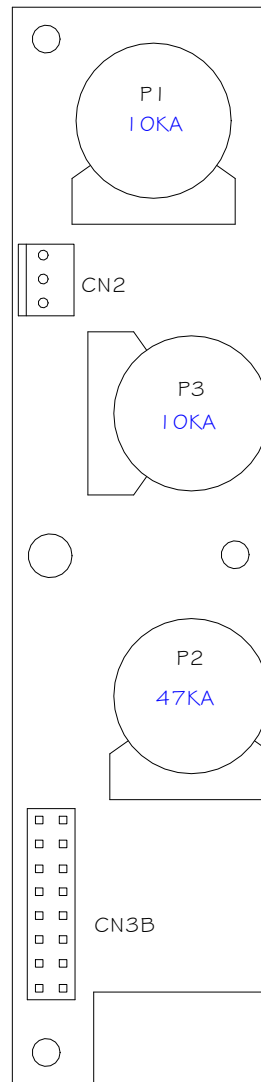


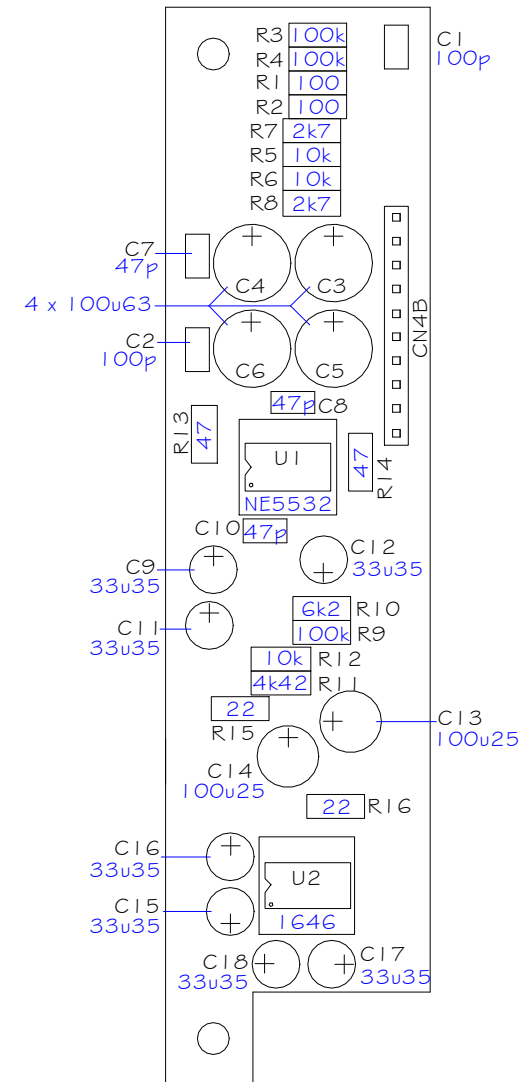
SOUND SKULPTOR	Title	EQ573 Component Layout	Sch Rev	1.4
	www.soundskulptor.com Copyright ©2011 to today Soundskulptor		PCB Rev	1.4
			Last modified	26/04/14



Switches board



Pots board



I/O board

SOUND SKULPTOR	Title	EQ573 Component Layout	Sch Rev	1.4
	www.soundskulptor.com Copyright ©2011 to today Soundskulptor		PCB Rev	1.4
			Last modified	19/04/14