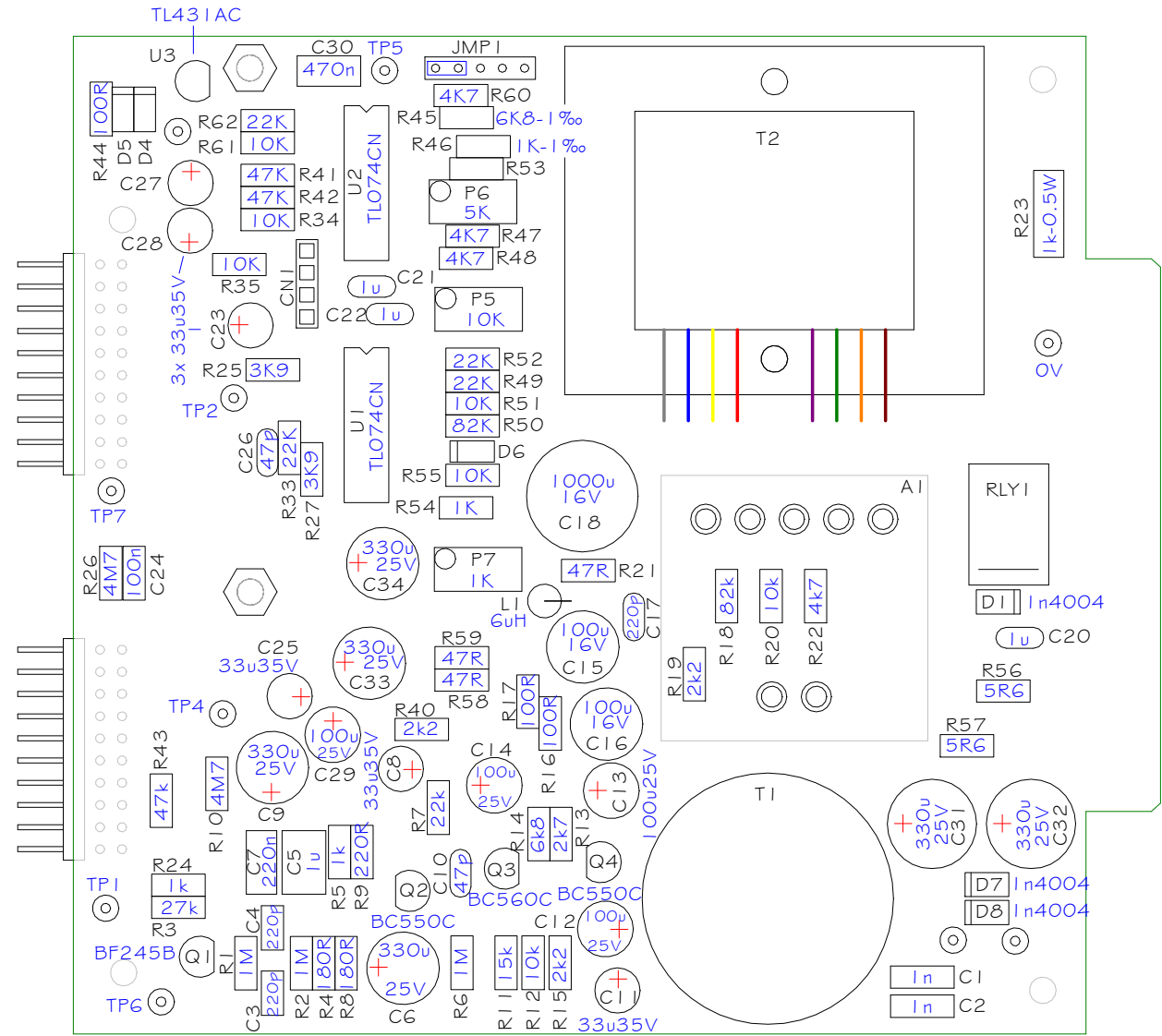


D3, D4, D5, D6: IN914



<b>SOUND SKULPTOR</b>	Title	CP5176 Component Layout	Sch Rev	1.6
	www.soundskulptor.com Copyright ©2013 to today Soundskulptor		PCB Rev	1.7
			Last modified	20/01/21