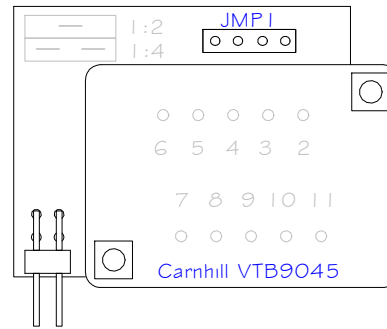
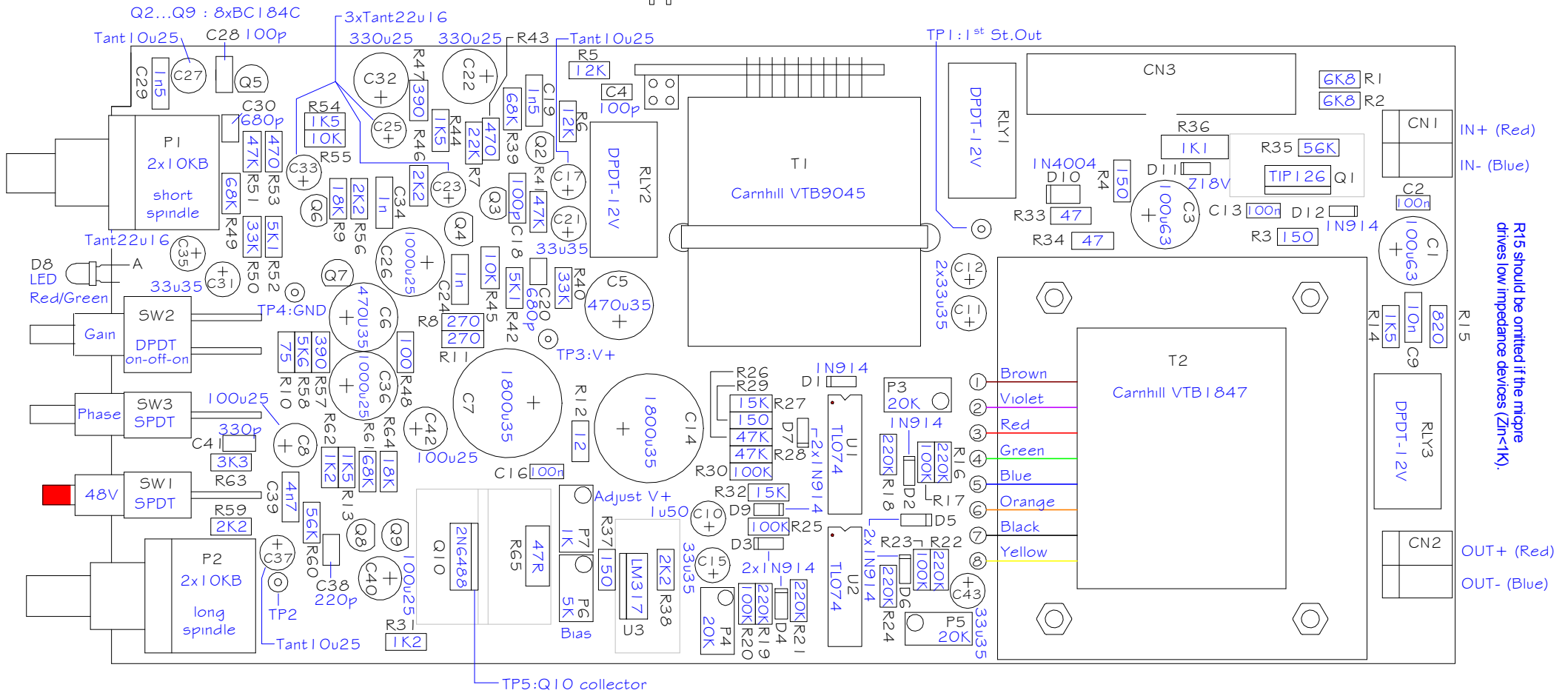


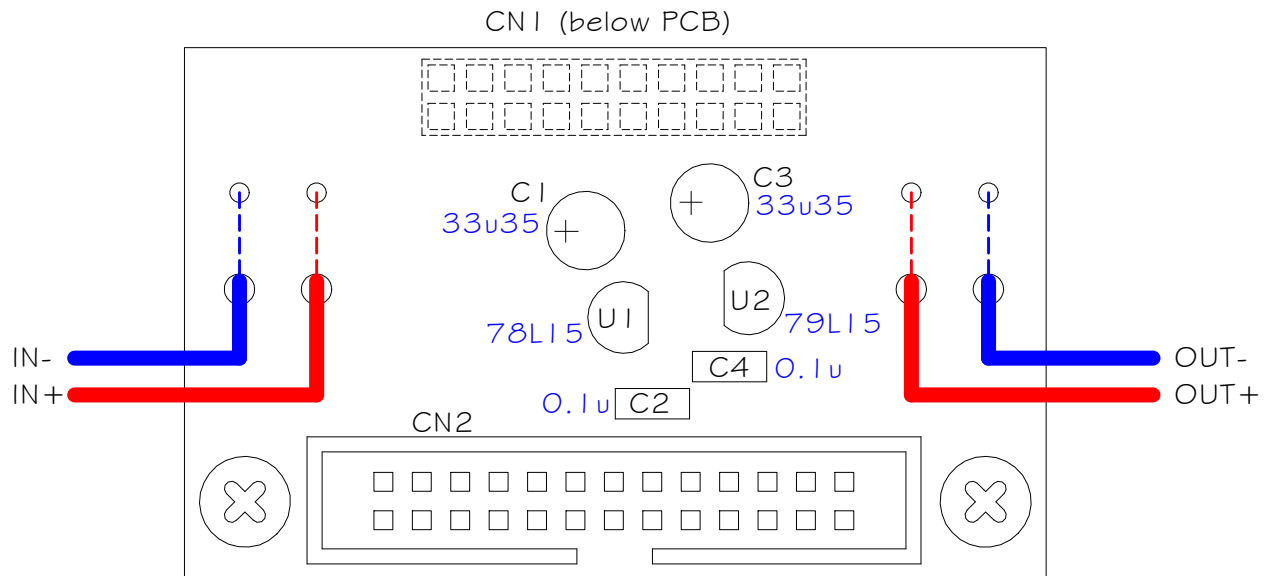
LED assembly



Transformer seen from top
(opposite to pin side)



SOUND SKULPTOR	Title	MP73 Component Layout	Sch Rev	1.2
	www.soundskulptor.com Copyright ©2007 Soundskulptor		PCB Rev	1.2
			Last modified	06/05/13



SOUND SKULPTOR	Title	V12V2 V1 to V2 adapter	Sch Rev	1.3
	www.soundskulptor.com		PCB Rev	1.3
	Copyright ©2011 -today Soundskulptor		Last modified	06/07/11