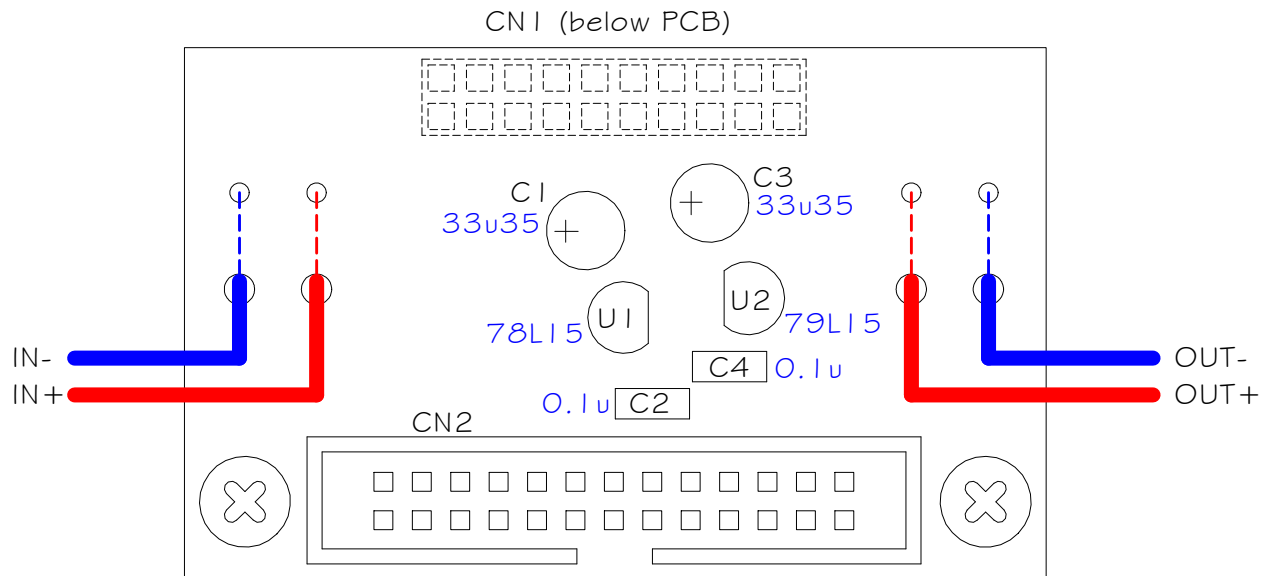


<b>SOUND SKULPTOR</b>	Title	MP66 Component Layout	Sch Rev	1.3
	www.soundskulptor.com Copyright ©2008 Soundskulptor		PCB Rev	1.5
			Last modified	01/06/11



<b>SOUND SKULPTOR</b>	Title	V12V2 V1 to V2 adapter	Sch Rev	1.3
	www.soundskulptor.com Copyright ©2011 -today Soundskulptor		PCB Rev	1.3
			Last modified	06/07/11