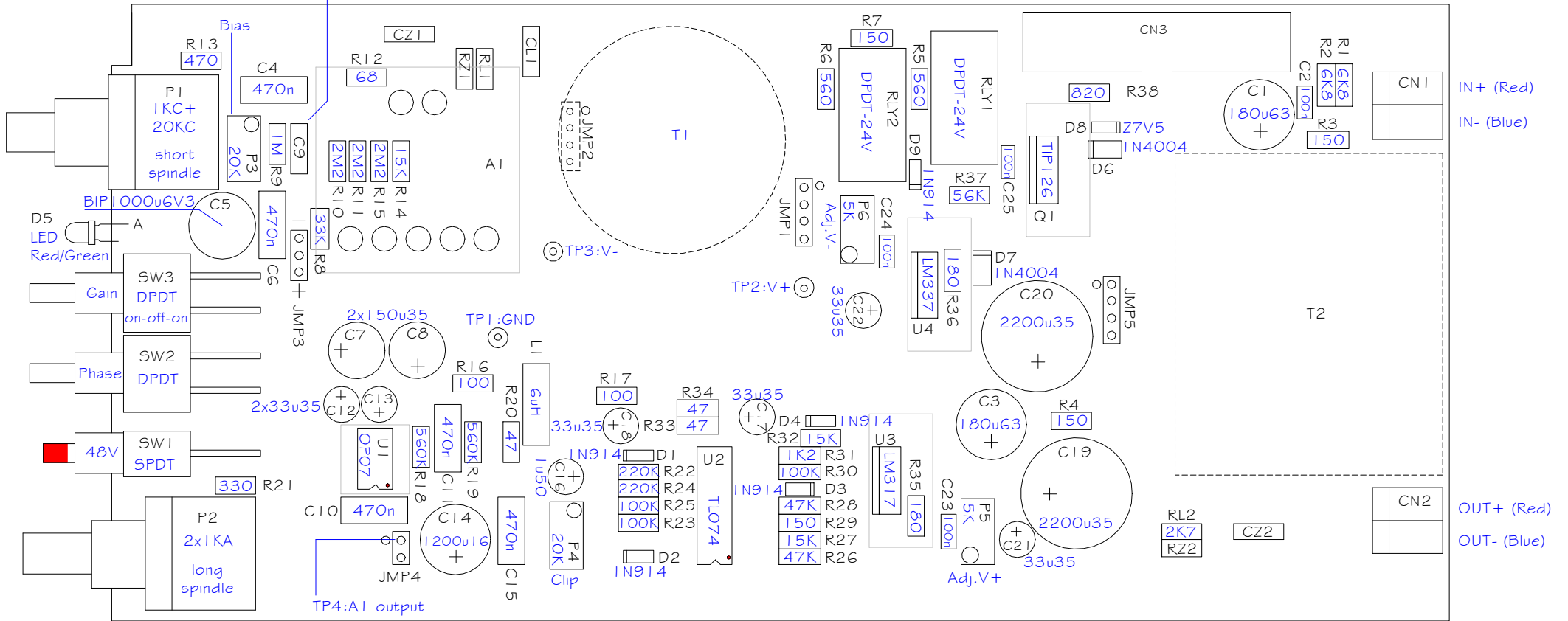
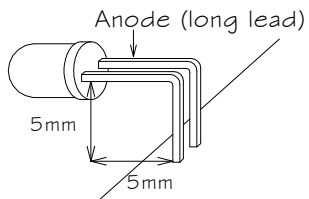


C9 not connected in case of SK47 DOA, 100pF in other cases

T1, RL1, CL1, RZ1, CZ1, JMP2 : see mp1 2-Input-tx-options.pdf

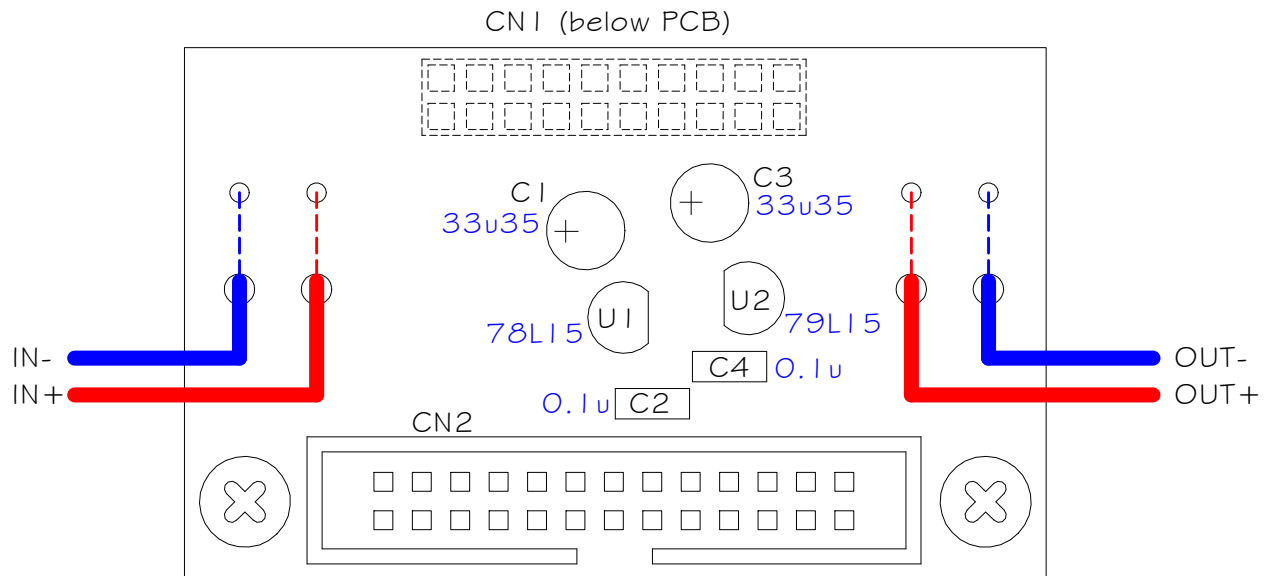


T2, RZ2, CZ2 : see mp1 2-output-tx-options.pdf



LED assembly

SOUND SKULPTOR	Title	MP1 2 Component Layout	Sch Rev	1.2
	www.soundskulptor.com		PCB Rev	1.2
	Copyright ©2007 Soundskulptor		Last modified	28/09/07



SOUND SKULPTOR	Title	V12V2 V1 to V2 adapter	Sch Rev	1.3
	www.soundskulptor.com Copyright ©2011 -today Soundskulptor		PCB Rev	1.3
			Last modified	06/07/11