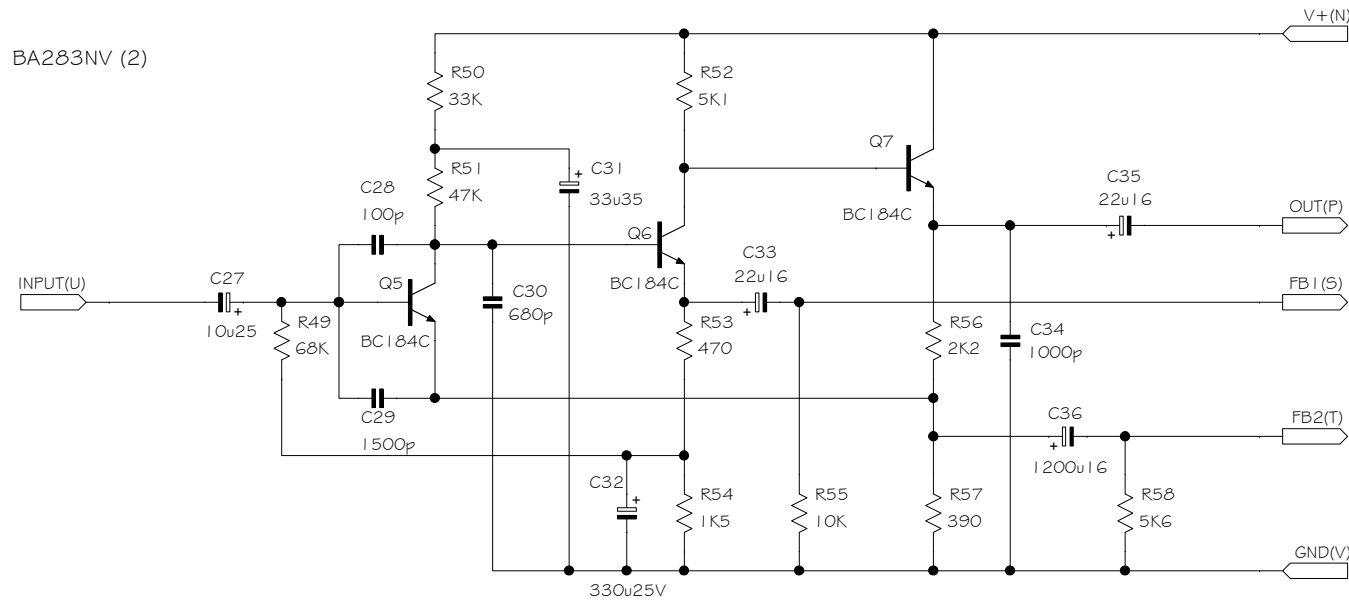
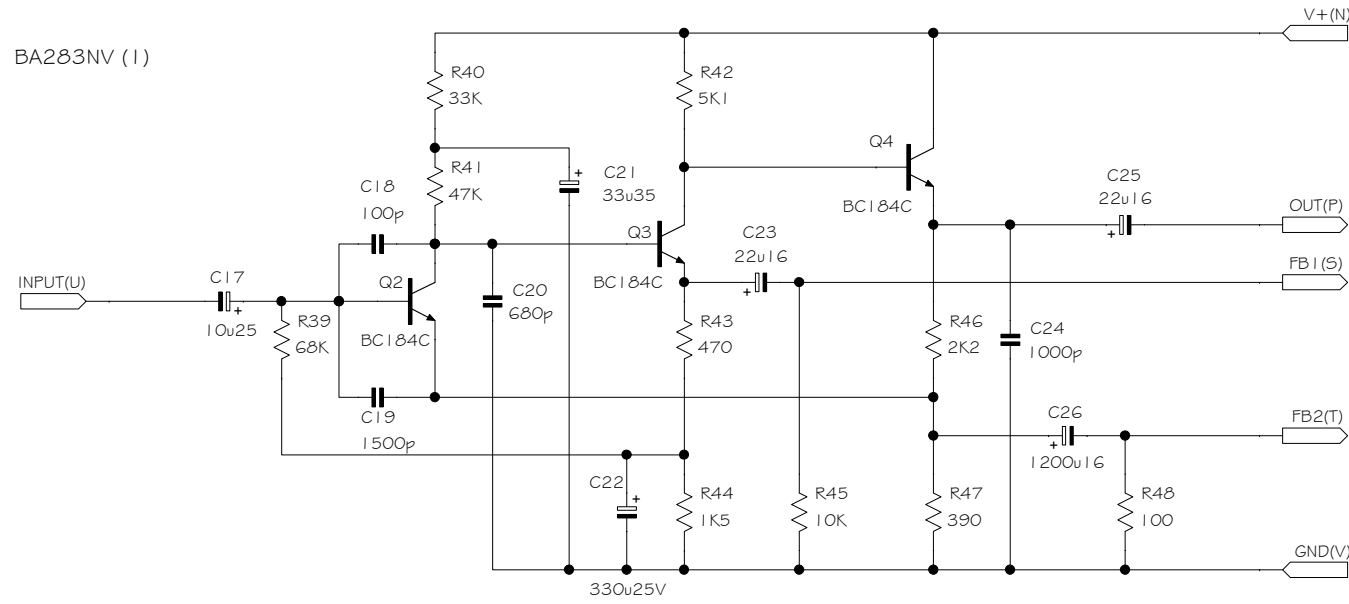
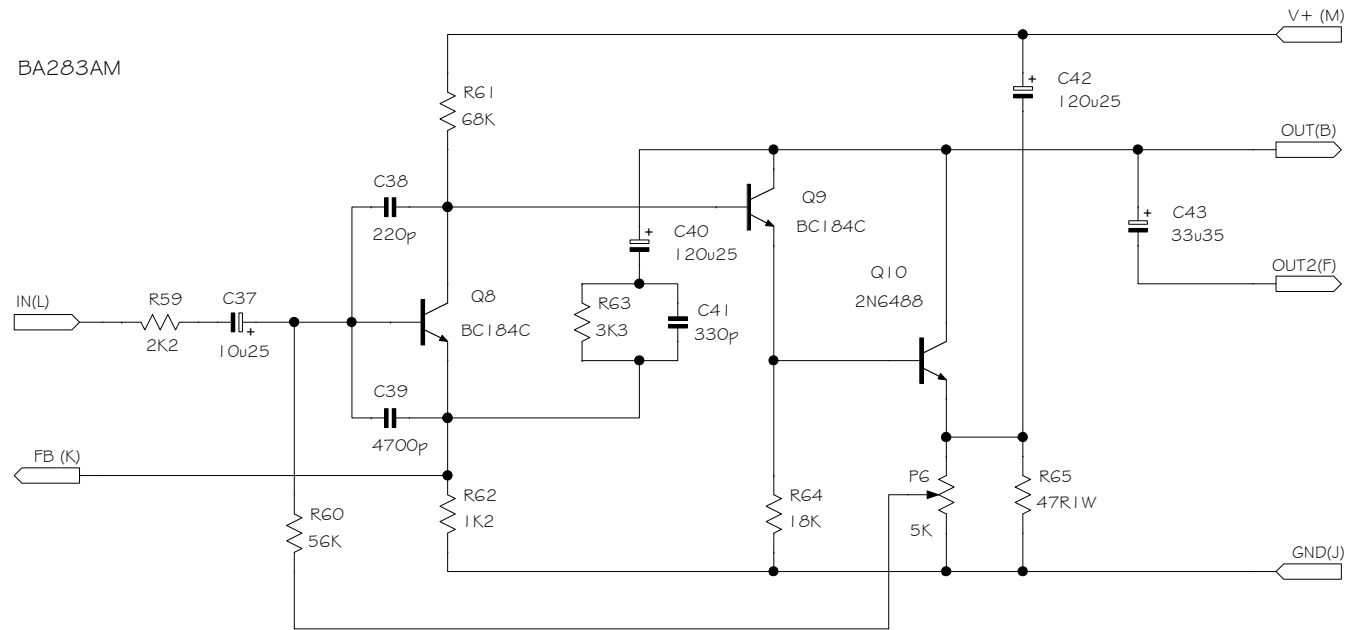


Sound Skulptor	Title : MP73 micpre page 1/4	Sch Rev : 1.2
	www.soundskulptor.com Copyright ©2007 SoundSkulptor	PCB Rev : 1.2
		Last modified : 22/07/07



BA283AM



Sound
Skulptor

Title : MP73 micpre page 4/4

www.soundskulptor.com
Copyright ©2007 SoundSkulptor

Sch Rev : 1.2

PCB Rev : 1.2

Last modified : 23/07/07