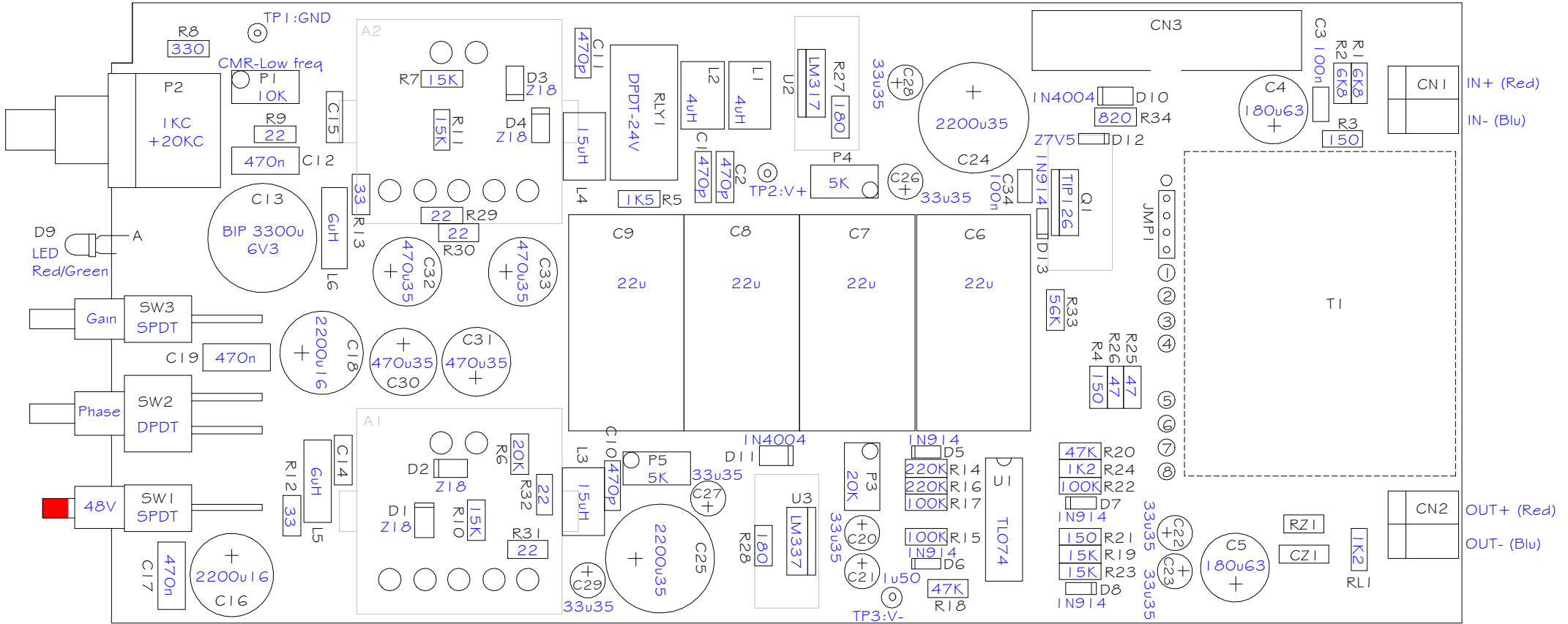
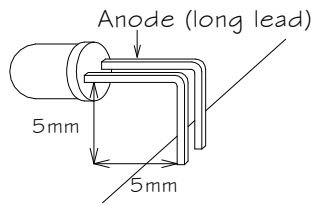


C14, C15 not connected in case of SK47 DOA, 47pF in all other cases



T1, RZ1, CZ1 : see mp32-output-tx-options.pdf



LED assembly

SOUND SKULPTOR	Title	MP32 Component Layout	Sch Rev	1.2
	www.soundskulptor.com Copyright ©2007 Soundskulptor		PCB Rev	1.2
			Last modified	03/10/07